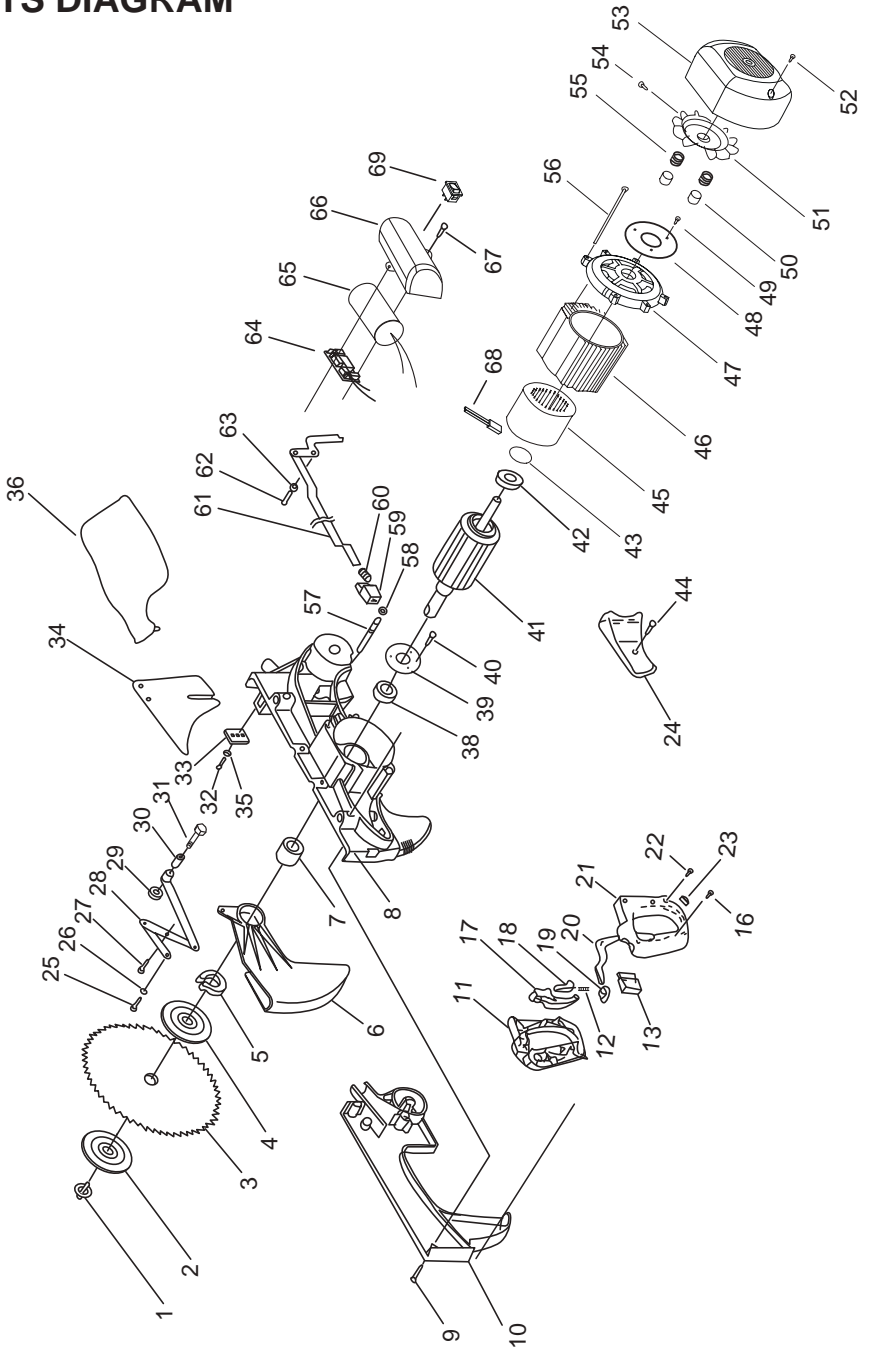
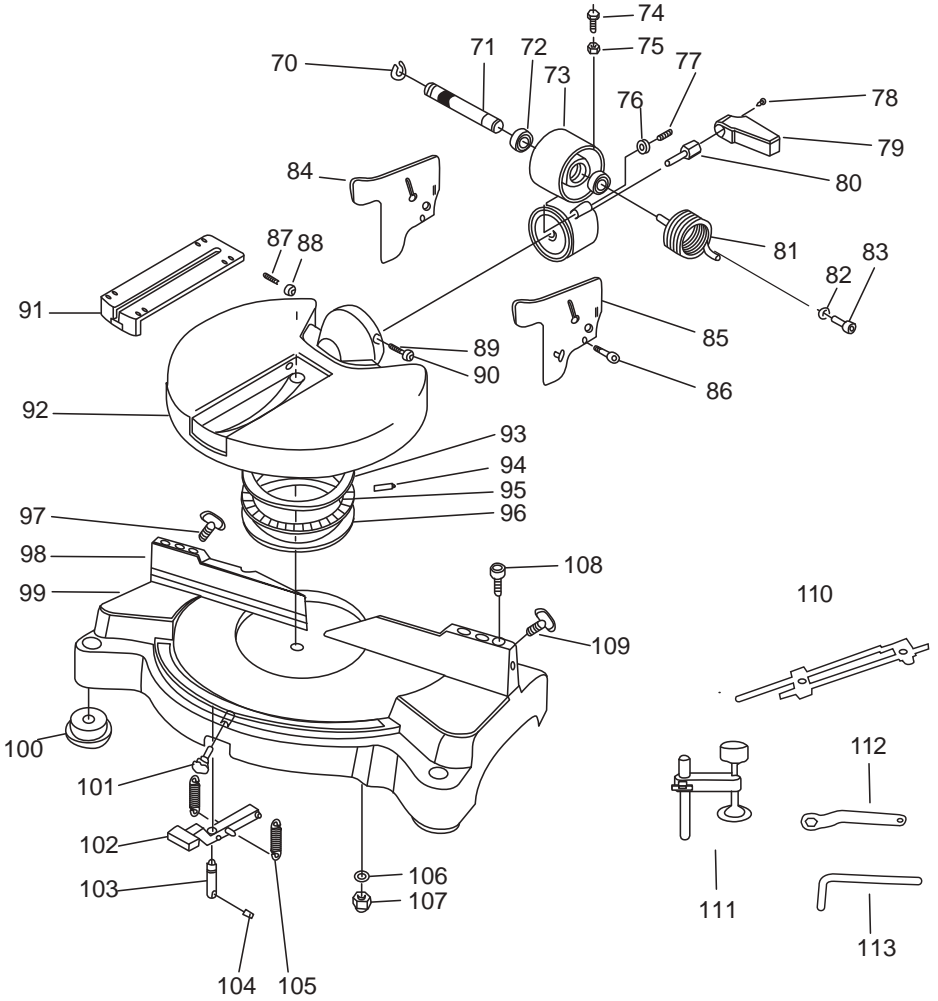


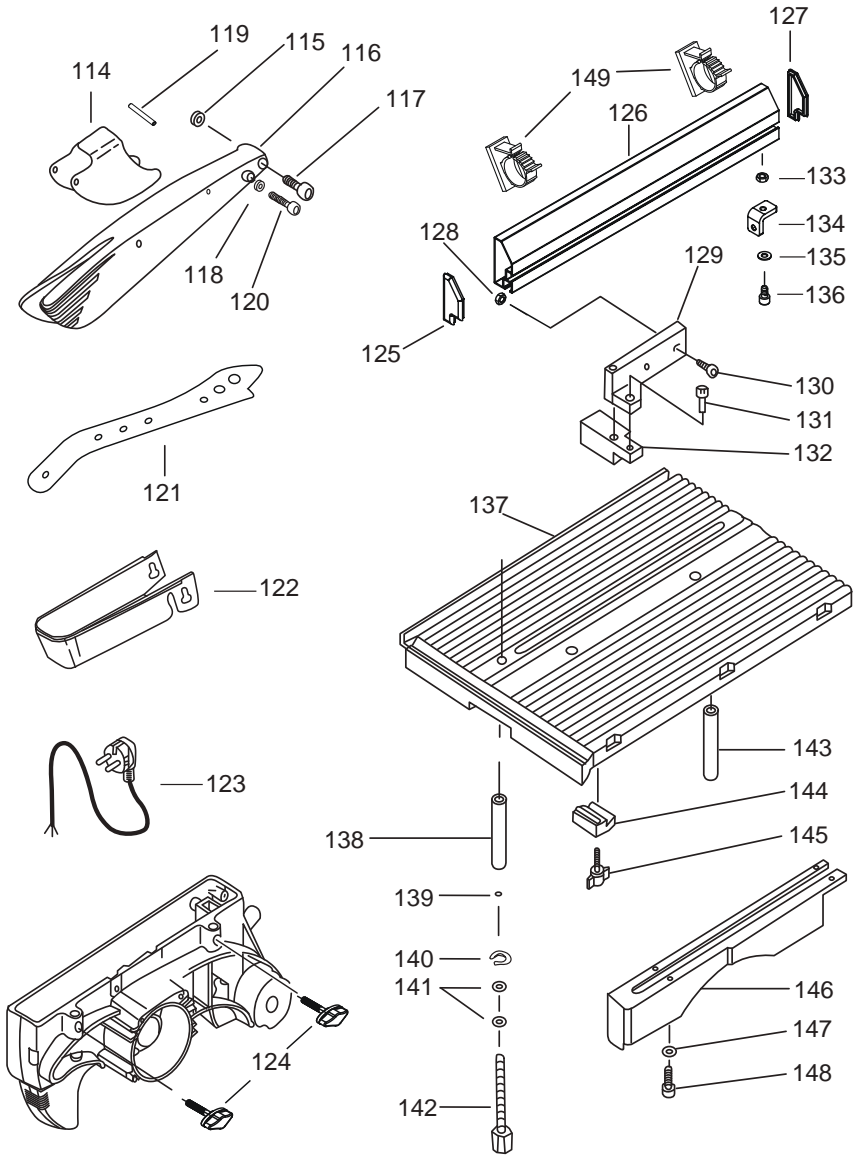
PARTS DIAGRAM



PARTS DIAGRAM



PARTS DIAGRAM



REF NO. DESCRIPTION	REF NO. DESCRIPTION
1 BLADE BOLT	39 BEARING COVER
2 OUTER FLANGE	40 PAN HD SCREW M4 X 8MM
3 SAW BLADE(305MM) (optional)	41 ROTOR
4 INNER FLANGE	42 BALL BEARING (6202)
5 RETAINING RING Ø 36MM	43 O RING Ø1.5X35MM
6 MOVABLE GUARD	44 PAN HD SCREW M4 X 10MM
7 TUBE Ø23.5MM X 25MM	45 FIELD
8 RIGHT GUARD	46 ALUMINUM MOTOR HOUSING
9 PAN HD SCREW M5 X 20MM	47 MOTOR END COVER
10 LEFT GUARD	48 STEEL PLATE
11 LEFT HANDGRIP	49 PAN HD SCREW M4X10MM
12 SPRING	50 BRAKE PAD
13 SWITCH	51 FAN
14	52 PAN HD SCREW M4
15	53 FAN COVER
16 PAN HD SCREW M4 X 20MM	54 PAN HD SCREW M4X10MM
17 SWITCH BUTTON	55 SPRING
18 RELEASE DEVICE	56 HEX HD SCREW M5X160MM
19 BUTTON	57 STOPPER PIN Ø 10 x 54MM
20 LINK	58 RETAINING RING Ø 10MM
21 RIGHT HANDGRIP	59 PUSH BUTTON
22 PAN HD SCREW M4 X 30MM	60 SPRING Ø 7 X 45 X Ø1MM
23 LASER SWITCH	61 LINK
24 PLASTIC COVER	62 PAN HD SCREW M5 X 12MM
25 RIVET Ø4 X 8MM	63 TUBE Ø14 X Ø7.8 X 7.5 MM
26 TUBE Ø16 X Ø10 X 12MM	64 ELECTRIC SYSTEM
27 PAN HD SCREW M5 X 20MM	65 CAPACITOR
28 LINK	66 PLASTIC COVER
29 M5 NUT	67 PAN HD SCREW M5X15MM
30 SPRING Ø10.6 X 22 X 1.2MM	68 HEATING PROTECTION
31 PAWL Ø6 X M5 X 26MM	69 POWER INPUT SWITCH
32 PAN HD SCREW M6 X 15 MM	70 RETAINING RING Ø 16MM
33 PLATE	71 SPINDLE
34 FRIVE KNIFE	72 BALL BEARING 6002
35 SPRING WASHER M6	73 SUPPORT ARM
36 DUST BAG	74 HEX SCREW M6 X 10MM
38 BALL BEARING (6203)	

REF NO. DESCRIPTION	REF NO. DESCRIPTION
75 NUT M6	113 HEX KEY
76 NUT M6	114 STEEL GUARD
77 PIN SCREW M6x 45MM	115 NUT M8
78 PAN HD SCREW M4	116 UPPER PLASTIC GUARD
79 LOCKING HANDLE	117 HEX SOC SCREW M8
80 HEX HD SCREW M12 X 85 MM	118 NUT M6
81 SPRING	119 SPRING PIN 4 X 36MM
82 FLAT WASHER M8	120 HEX SOC SCREW M6x30
83 HEX SOC SCREW M 8 X 15MM	121 PUSH HAND
84 L GUARD PLATE	122 LOWER SAFETY GUARD
85 R GUARD PLATE	123 POWER CORD
86 COUNTERSINK HD SCREW M5 X 10MM	124 WING BOLT M6 X 30
87 PIN SCREW M6 X 30MM	125 PLASTIC COVER
88 NUT M6	126 UPPER FENCE
89 PIN SCREW M6 X 30MM	127 PLASTIC COVER
90 NUT M6	128 NUT M6
91 KERF BOARD	129 FENCE HOLDER
92 TABLE	130 HEX SOC SCREW M 6 X 25MM
93 BEARING FLAT	131 HEX SOC SCREW M 6 X 25MM
94 PIN	132 CLAMP SET
95 PIN HOLDER	133 NUT M6
96 BEARING FLAT	134 STEEL HOLDER
97 WING BOLT M6 X 20 MM	135 FLAT WASHER Ø6MM
98 FENCE	136 HEX SOC SCREW M6x 12MM
99 BASE	137 UPPER TABLE
100 CUSHION	138 GUIDE TUBE
101 WING BOLT M6 X 35MM	139 4MM STEEL BALL
102 LEVER	140 RETAINING RING
103 LOCK PIN Ø 10 X 43MM	141 FLAT WASH 8MM
104 SPRING PIN Ø3X 30MM	142 ADJUST SCREW
105 SPRING Ø 8 X 21 X Ø 0.7MM	143 GUIDE TUBE
106 FLAT WASHER M12	144 CLAMP SET
107 LOCKNUT M12	145 WING BOLT M6 X 30
108 HEX SOC SCREW M8 X 40MM	146 PLASTIC COVER
109 WING BOLT M6 X 20 MM	147 FLAT WASHER Ø 4MM
110 BAR CLAMP	148 PAN HD SCREW M4 X 10MM
111 VERTICAL VISE	149 PUSH HAND HOLDER
112 HEX WRENCH	