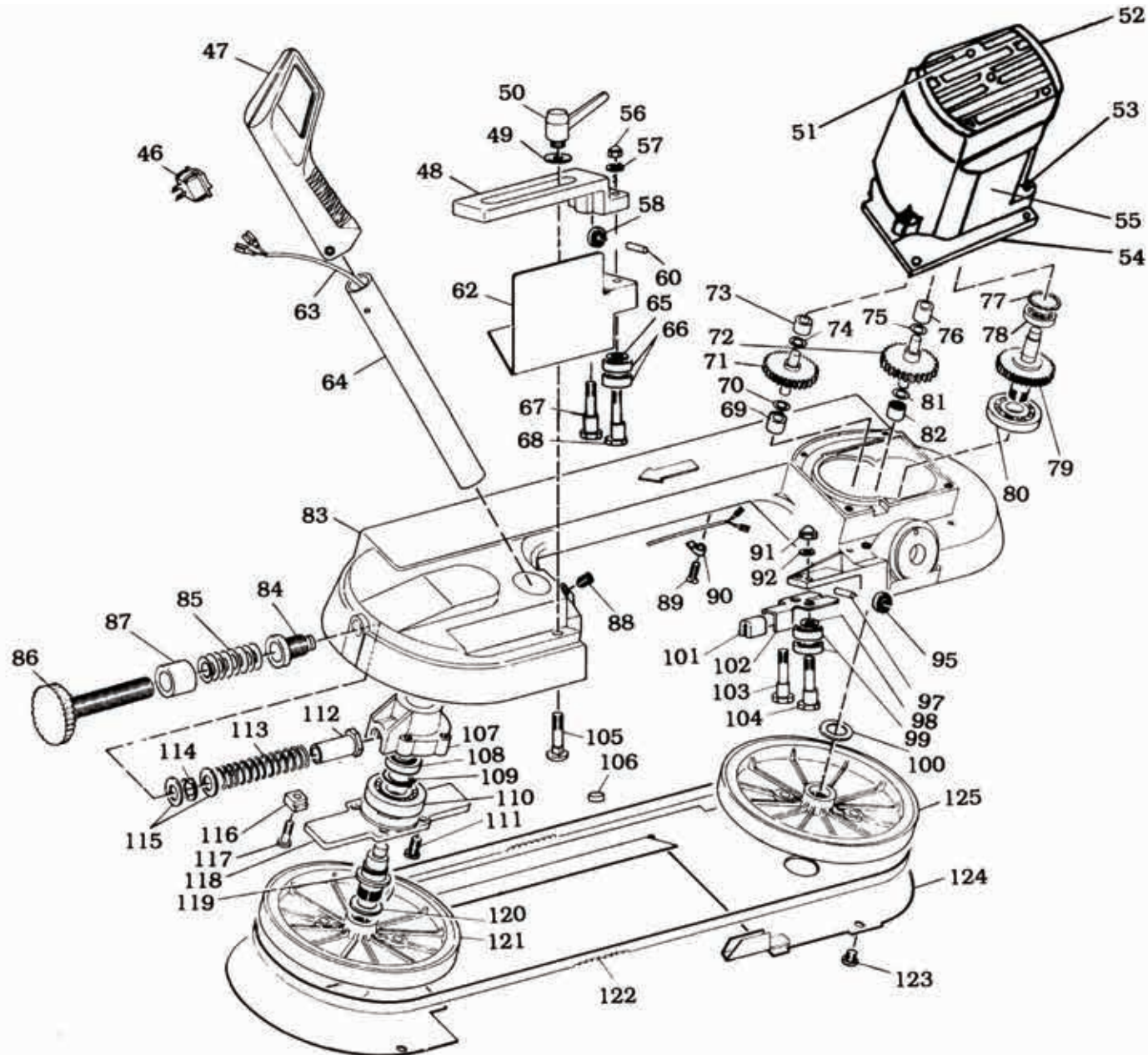


WS1000 - SC1325/01VAR



WS1000 - SC1325/01VAR-2

